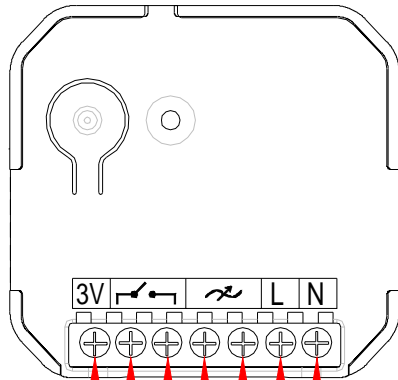
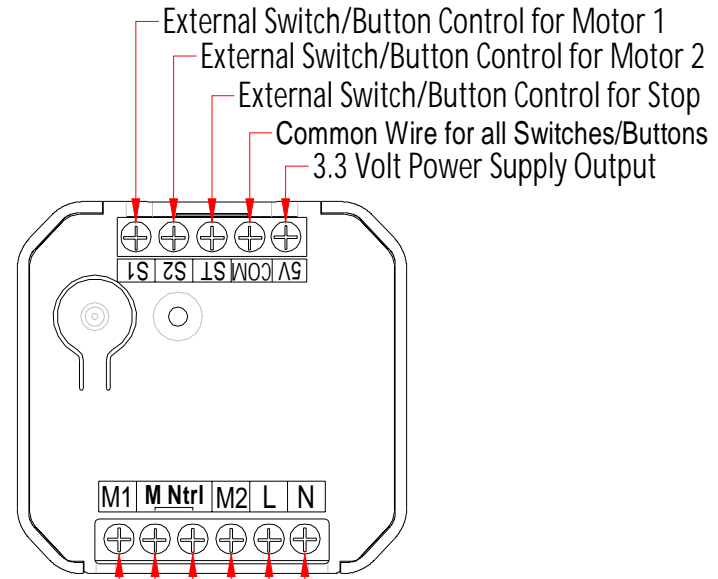


Micro SES/SEI (Aeon Labs)



- 3.3 Volt Power Supply Output
- External Switch/Button Control (also 3.3 Volt Ground)
- External Switch/Button Control
- Load Live
- Load Neutral
- Live Power Input
- Neutral Power Input

Micro Motor Controller (Aeon Labs)



- External Switch/Button Control for Motor 1
- External Switch/Button Control for Motor 2
- External Switch/Button Control for Stop
- Common Wire for all Switches/Buttons
- 3.3 Volt Power Supply Output
- Motor 1 Live
- Motor 1 Neutral
- Motor 2 Neutral
- Motor 2 Live
- Live Power Input
- Neutral Power Input