

# UTSE03 Door Bell set



Z-Wave series



## Features

- Adopt Z-Wave protocol to secure the success of wireless two way communication
- Can download 45 second of high quality voice files from USB port
- Visual and audible alarm indications
- Low battery indication
- Small form factor
- IP44 for the push button
- Z-Wave V5.02
- Z-Wave Certificated No ZC08-09080016(TAC06EU)  
ZC08-09080015(TSE03EU)



## Introduction

The Wireless Door Bell(TSE03) & Push Button(TAC06) are a pair of Z-Wave™ enabled devices displaying the Z-Wave™ logo, operating at 868.42 MHz. Taking the role of a transmitter and a small Z-Wave controller, the Push Button sends signals of bell triggering to Door Bell (receiver) wirelessly after Button is pressed. The Push Button is compatible with other Z-Wave enabled devices.

The front buttons on Door Bell and Push Button provide not only the function of pressing but also the function of LED indication. Preset songs (5 by default) of Door Bell are available for sound selection, but it is also customizable as you can play own music by replacing it with your own WAV file.

The Door Bell is powered by 3 x AA 1.5V alkaline batteries and the Push Button is powered by 2 x AAA 1.5V alkaline batteries. When battery level drops below an unacceptable level, the LED on Bell will flash once every 30 seconds and flash while a song is playing. whereas the LED on Push Button will flash when Button is pressed. When this occurs, please replace the batteries as

## Specification

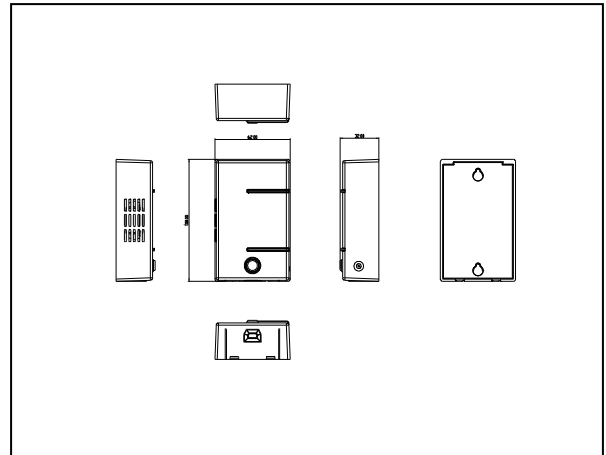
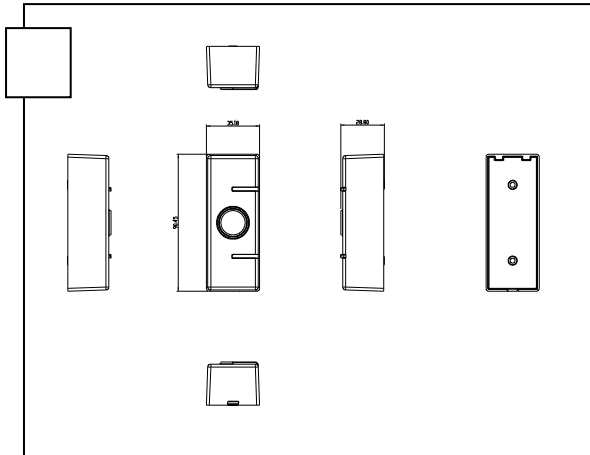
Power	Operating Voltage Standby current Operating current Low battery voltage Shut down Voltage	AA 1.5 x 3 for TSE03 AAA x2 for TAC06 10uA for TAC06 and 25 uA for TSE03 120mA for TSE03 and 35mA for TAC06 3.4V for TSE03 and 2.5V for TAC06 3.0V for TSE03 2.4V for TAC06
RF	Frequency Regulation Distance	908.42( USA)/868.42 (EU) /921(AU)MHz FCC part15.249 / EN300 220-1/ 30M indoor 70M outdoor
Mechanical	weight Dimension (W x H x D)	54g TAC06 96g TSE03 90.5x35x29 mm for TAC06 100x62x32 for TSE03
Battery	AA AAA Battery life	2400mAh 1200mAh 1 years @condition 1, 2
Environment	Operation Temperature Humidity	-10 ~ 50° C 85%RH max
Hardware	sound level Play voice time	70dB 45sec

Condition 1. TAC06 AAA 1.5V\*3 · The trigger 10 times a day

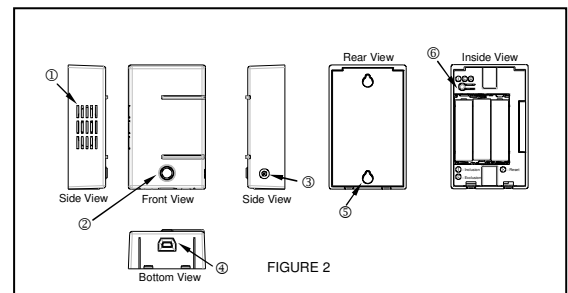
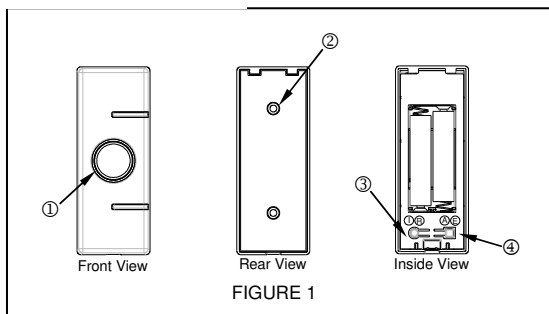
Condition 2 . TSE03 Battery : AA 1.5V\*3 · The trigger 5 times a day, Time to 5 seconds

**Dimension**

unit:mm



**Placement**



① LED Indicator/Button	③ I (R) Key
② Holes for Wall Mounting	④ (A) (E) Key

① Horn	② LED Indicator/Music Selector	③ DC Jack
④ USB Port	⑤ Keyhole Slot	⑥ I (R) Key

**Application:**

Door Bell  
Home Security  
Home Automation