



# PAN11-1/-2/-3 Smart Energy Plug-in Switch

Z-Wave Series



## Features

- Adopt Z-Wave protocol to secure the success of wireless two way communication
- Higher RF output power (+2.5dBm output power as compared to -2.5dBm 300 series Z-wave module) to enhance the communication range
- With zero crossing technology to extend the number of switching
- Easy install
- Very low Electricity consumption , meet Europe year 2012 energy-related products requirement directive 2009/125/EC no. 1275/2008
- Resistive load 3000W, 1500W for incandescent load or 320W for fluorescent load
- Overload protection
- Voltage, Current, Power factor, Instant power Wattage, Accumulated power consumption KWh report
- Z-Wave V6.02
- Z-Wave Certified No ZCXX-XXXXXXX
- LVD:EN 61058
- R&TTE : EN 301489, EN 300200,



## Introduction

This plug-in ON/OFF Module is a transceiver which is a Z-Wave™ enabled device and is fully compatible with any Z-Wave™ enabled network. Z-Wave™ enabled devices displaying the Z-Wave™ logo can also be used with it regardless of the manufacturer, and ours can also be used in other manufacturer's Z-Wave™ enabled networks. Remote On/Off control of the connected load is possible with other manufacturer's Wireless Controller. Each module is designed to act as a repeater. Repeaters will re-transmit the RF signal to ensure that the signal is received by its intended destination by routing the signal around obstacles and radio dead spots.

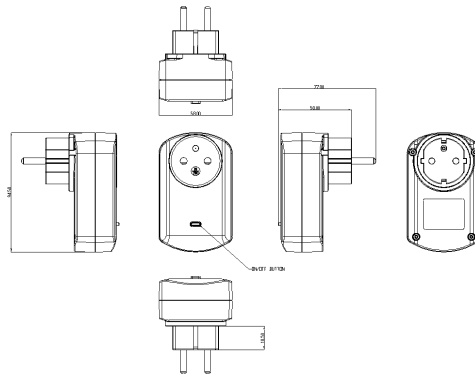
This plug-in ON/OFF Module is able to detect voltage, current, power factor, Instant power wattage (5~3150W) and overload wattage (3010~3300W) of connected light or appliances. When detecting overload state, the Module will be disabled and its On/Off button will be lockout of which LED will flash quickly for 30 seconds. However, unplug and re-connect the Module will reset its overload condition to normal status.

## Specification

Power	No load standby power Input voltage	0.48W (230V) 90 ~240VAC
RF	Frequency Regulation Distance	868.42 (EU) MHz FCC part15.249 / EN300 220-1/ min. 30m indoor min. 100m outdoor
Mechanical	weight Dimension (W x H x D)	118 g 57.7x94.5x76.6 mm (Germany type PAN12-1)
Environment	Operation Temperature Humidity	0 ~ 40° C 85%RH max
Load	Resistive load incandescent load fluorescent load load return error rate 5W~40W load return error rate40W~3150W overload	3000W 1500W 320W ±3W ±5% 3300W



Dimension and Placement (unit:mm)



Germany type PAN11-1  
57.7x94.5x76.6 mm



France type PAN11-2  
57.7x94.5x76.6 mm



UK type PAN11-3  
57.7x94.5x61 mm



**Application:**

Home Automation  
Energy Saving

**TKB Control System Limited**  
[www.tkbhome.com](http://www.tkbhome.com)