

**TZ76**  
**Radio Frequency (RF) Controlled**  
**6A,230V, Insert Switch Control Module**

Note: This module must be "Included in the Network" only where it will be permanently installed. The proper operation of this node in the mesh network is dependent on it knowing its location with respect to other nodes. You cannot "test bench" configure this module, then install.

**TZ76 Insert Switch introduction:**

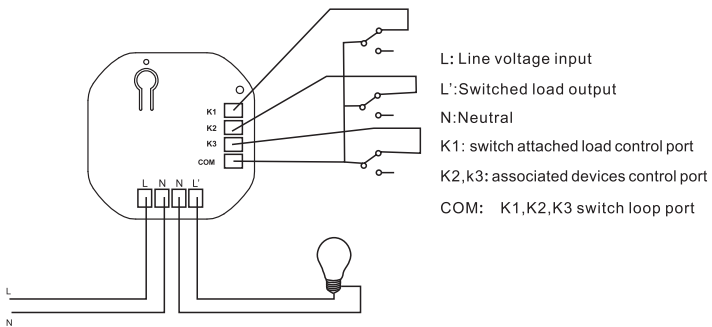
The TZ76 Insert Switch is a component of Z-Wave lighting control system. This control module is designed to work with other z-wave enabled devices. Z-wave nodes of other types can be added to the system and will also act as repeaters if they support this function of repeating the signal received to other modules in the system.

As part of z-wave network, the TZ76 will also act as a wireless repeater to insure that commands intended for other device in the worked are received. This is useful when the device would otherwise be out of the radio range of the wireless controller. There are no field repairable assemblies on this unit. If service is needed, the unit must be returned where purchased.

**Installation**

**DANGER ! SHOCK HAZARD.** Read and understand these instructions before installing. It is recommended that a qualified electrician perform this installation. Make sure the load controlled by the switch does not exceed 6 amps. For indoor use only. Retain this instruction for future use.

Wire this control Module in place of a current wall switch according to the diagram below:



**Including TZ76 to the network**

**Including to the network** (must be installed in its permanent location ,not on test bench )

1. Setup the controller you are using to include a device into network.
2. Tap the push button on the control module or overturn the switch paddle which connect with K1.
3. If failed, please remove the device first, then including over again.

**Excluding from the network**

1. Setup the controller you are using to exclude the device from network .
2. Tap the push button of the control module or overturn the switch paddle which connect with K1.

**Associate other z-wave devices**

1. Set up the controller, and choose the association group .( Group 1 is refer to K1 switch , Group 2 is refer to K2 switch ,Group 3 is refer to K3 switch ) .
2. After choosing the relevant group, you can choose the z-wave device which need be controlled.

**Basic operation**

**Local control**

The switch connected with K1 on the TZ76 Control module allows the user to :

- Turn ON or OFF the attached load
- Control other z-wave enable devices ( if group 1 is associated)
- Include or exclude the module from the z-wave system

The switch connected with K2 on the TZ76 Control module allows the user to:

- Control other z-wave enable devices (if group 2 is associated)

The switch connected with K3 on the TZ76 Control module allows the user to:

- Control other z-wave devices enable devices (if group 3 is associated)

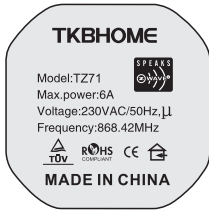
Each group can control 5 z-wave devices

**Remote control**

TZ76 will respond to BASIC and BINARY commands that are part of the z-wave system. Refer to your controller's instructions as to whether your controller can transmit those commands.

**Specification**

- Power : 230VAC,50Hz
- Signal (frequency) : 868.42MHz
- Maximum Load –Resistive : 6amps (1380 watts ) maximum ,230VAC
- Range: up to 30m meters line of sight between the wireless controller and / or the closest z-wave receiver module.



**TZ71**  
**Radio Frequency Controlled**  
**6A,230V,Insert Control Module**

**Note:** This module must be "Included in the Network" only where it will be permanently installed. The proper operation of this node in the mesh network is dependent on it knowing its location with respect to other nodes. You cannot "test bench" configure this module, then install.

**TZ71 Insert Switch introduction:**

The TZ71 Insert Switch is a component of Z-Wave lighting control system.

This Control module is designed to work with other Z-Wave enabled devices. Z-Wave nodes of other types can be added to the system and will also act as repeaters if they support this function of repeating the signal received to other modules in the system.

As part of a Z-Wave network, the TZ71 will also act as a wireless repeater to insure that commands intended for another device in the network are received. This is useful when the device would otherwise be out of the radio range of the wireless controller.

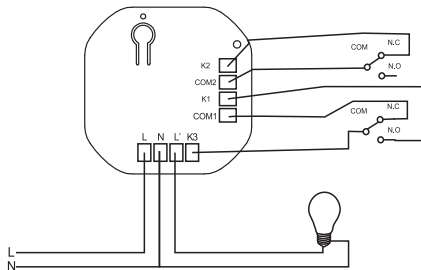
When the TZ71 Insert Switch connect with mechanical switch, the connected mechanical switch can still work by manual control the attached load even if this electronic switch module broken, to provide users with the lighting needs, avoid the system paralysis and enhance the dependability of the system.

There are no field repairable assemblies on this unit. If service is needed, the unit must be returned where purchased.

**Installation**

**DANGER! SHOCK HAZARD.** Read and understand these instructions before installing. It is recommended that a qualified electrician perform this installation. Make sure the load controlled by the switch does not exceed 6 amps. For indoor use only. Retain instructions for future use.

Wire this control Module in place of a current wall switch according to the diagram below:



L: Line voltage input  
 L': Switched load output  
 N: Neutral  
 K1, K3: switch attached load control port  
 K2: associated devices control port  
 COM1: K1 switch loop port  
 COM2: K2 switch loop port

**Including TZ71 To The Network**

**Including to the network (must be installed in its permanent location, not on test bench)**

1. Setup the controller you are using to include a device into network.
2. Press the "PUSH" key on the Control module or overturn the mechanical switch paddle which connected by K1.
3. If failed, please remove the device first, then including over again.

**Excluding from the network**

1. Setup the controller you are using to exclude a device from the network.
2. Press the "PUSH" key on the Control module or overturn the mechanical switch which connected by K1.

**Association**

1. Setup the controller, choose the associated group. (Group 1 to K1, Group 2 to K2).
2. After choosing the associated group, choosing the Z-Wave devices which need to control.

**Basic Operation**

**(Local Control)**

The switch which connected by K1 on the TZ71 Control Module allows the user to:

- > Turn ON or OFF the attached load which connected to the switch.
- > Control other Z-Wave enable devices. (One "associated" group of 5 each-Groups 1)
- > Include or Exclude the module from the Z-Wave system.

The switch which connected by K2 on the TZ71 Control Module allows the user to:

- > Control other Z-Wave enable devices. (Two "associated" group of 5 each-Groups 1)
- Each Group can control 5 devices at most.

**Remote Control**

The TZ71 will respond to BASIC and BINARY commands that are part of the Z-Wave system. Refer to your controller's instructions as to whether your controller can transmit those commands.

**Specifications**

Power:	230V, 50Hz
Signal(frequency):	868.42MHz
Maximum Load-Resistive:	6amps (1380 watts) maximum,230VAC
Range:	up to 30 meters line of sight between the Wireless Controller and/or the closest Z-Wave receiver module